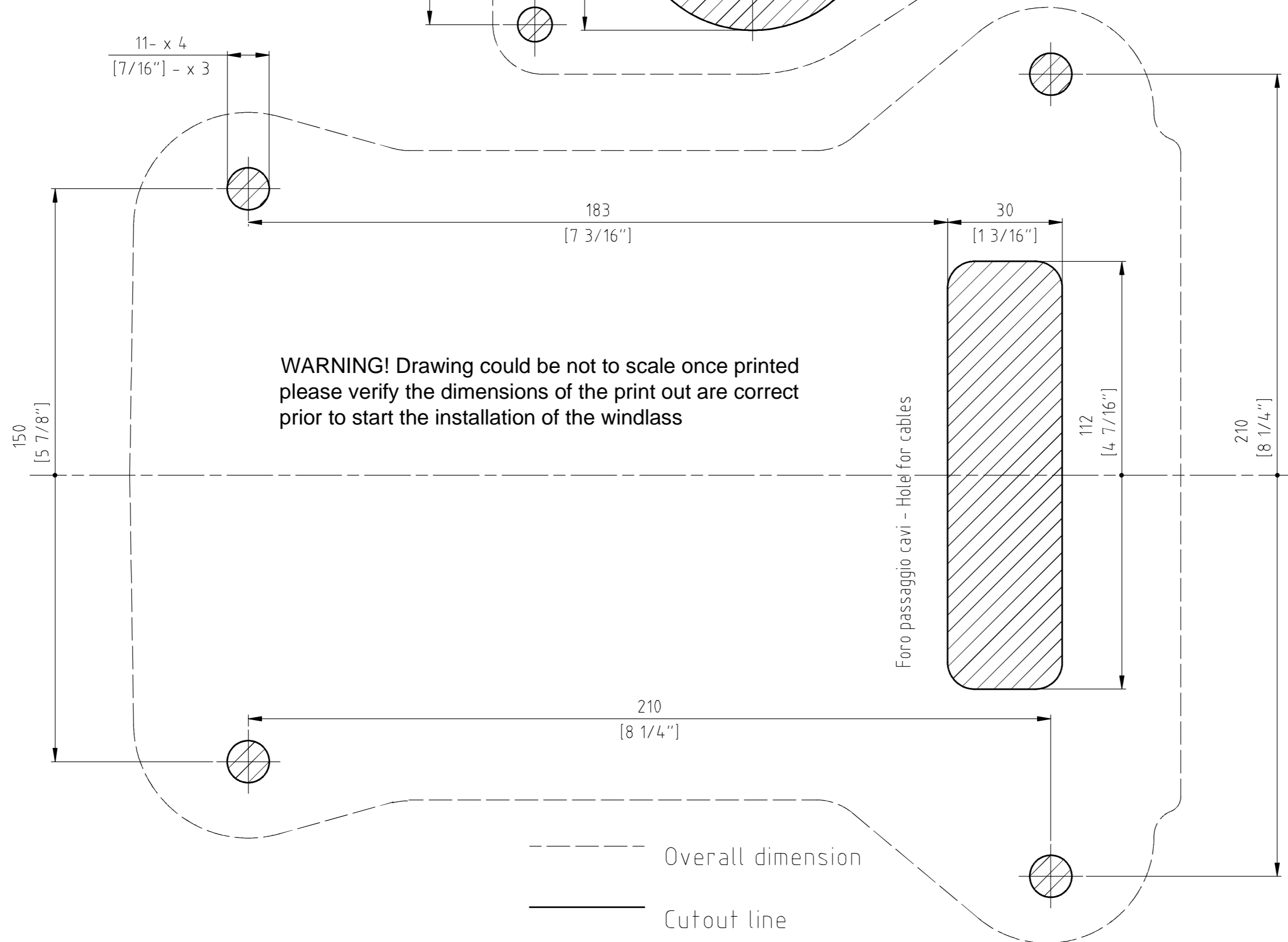


**ATTENTION:**  
 Place the chainpipe so that the stripper works at 4 mm. approx. from the gipsy groove.  
 Check after the installation the stripper DOES NOT hit the gipsy during its rotation.



**WARNING!** Drawing could be not to scale once printed  
 please verify the dimensions of the print out are correct  
 prior to start the installation of the windlass

Forward

--- Overall dimension  
 — Cutout line